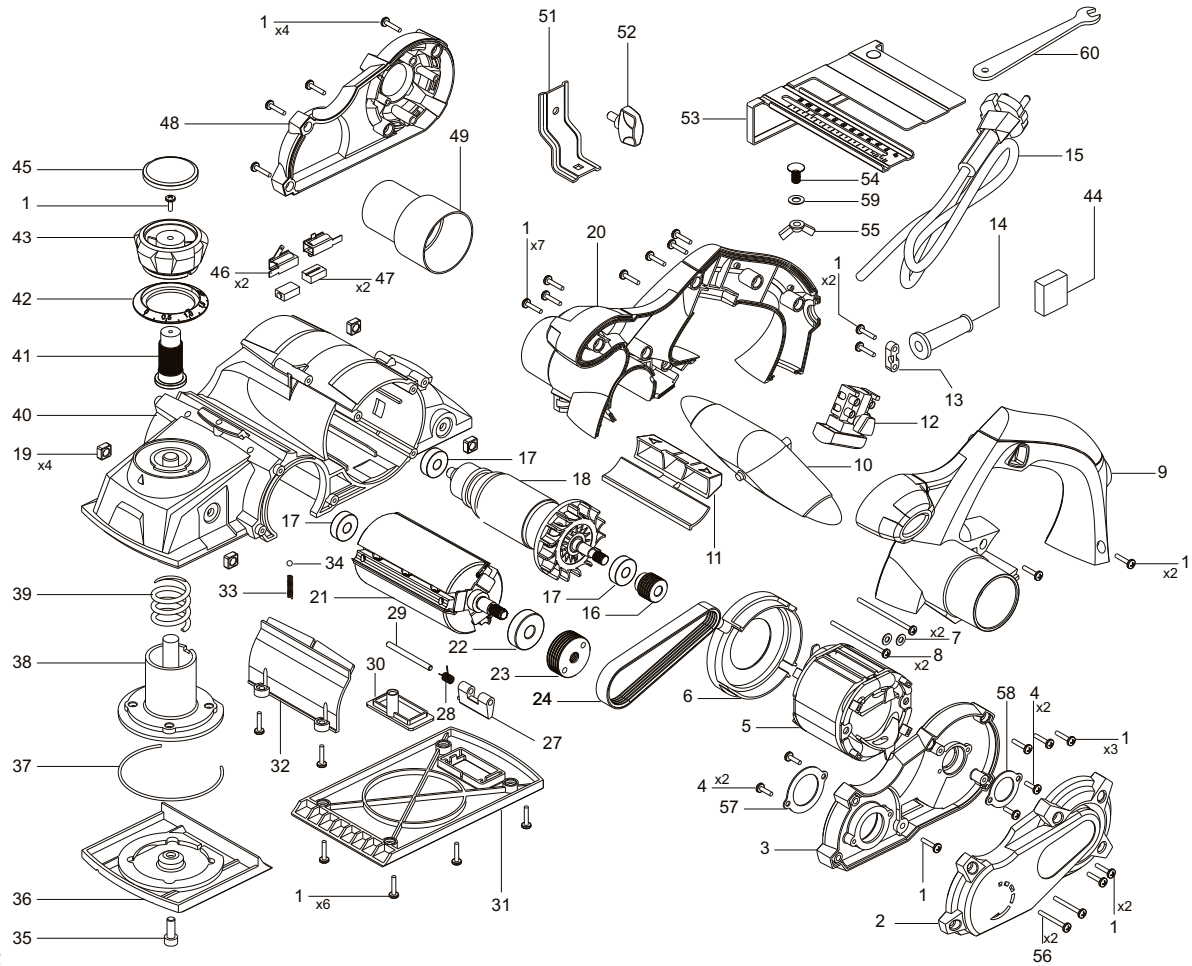


POS. No.	Ref.No.	Description	POS. No.	Ref.No.	Description
1	186343	SCREW ST4.0X16/ GB845-85	36	186376	ADJUSTING PLATE/ LM0047-016
2	186344	BELT COVER/ LM0047-005	37	186377	C-TYPE SPRING/ LM0047-028
3	186345	BEARING PEDESTAL/ LM0047-004	38	186378	ADJUSTING BUSHING/ LM0047-017
4	186346	SCREW ST4.2X10/ GB845-85	39	186379	ADJUSTING SPRING/ LM0047-029
5	186347	STATOR Φ73X50/ LM0047-018	40	186380	MAIN HOUSING/ LM0047-001
6	186348	AIR GUIDING CIRCLE/ LM0047-007	41	186381	NUT BUSHING/ LM0025-21
7	186349	FLAT WASHER Φ4/ GB93-85	42	186382	GRADUATION RING/ LM0042-006
8	186350	SCREW ST4.0X65/ GB845-85	43	186383	ADJUSTING KNOB/ LM0047-011
9	186351	LEFT HANDLE/ LM0047-002	44	186384	CAPACITANCE 0.22UF+2X2200PF
10	186352	ADJUSTING PLATE/ LM0047-008	45	186385	ADJUSTING KNOB COVER
11	186353	PUSH BUTTON/ LM0047-010	46	186386	BRUSH HOLDER/ LM0038-016
12	186354	SWITCH 10A 250V/ LM0047-025	47	186387	CARBON BRUSH/ LM0038-017
13	186355	CABLE CLAMP/ LM0025-29	48	186388	MOTOR COVER/ LM0047-006
14	186356	CABLE BUSHING/ LM0039-002	49	186389	CONNECTING PIPE FOR VACUUM CLEANER/LM0047-009
15	186357	CABLE 2X1mm2/ LM0047-026	51	186391	FIXED FRAME/ LM0047-023
16	186358	DRIVING WHEEL/ LM0047-02	52	186392	LOCKING KNOB/ LM0042-010
17	186359	BEARING 608-2RS/ GB272-88	53	186393	MOVABLE BAFFLE/ LM0047-024
18	186360	ROTOR Φ41X50/ LM0047-019	54	186394	BOLT M6X12/ GB12-88
19	186361	SQUARE NUT M6/ GB39-88	55	186395	WING NUT M6/ GB62-88
20	186362	RIGHT HANDLE/ LM0047-003	56	186396	SCREW ST4.0X30/ GB845-85
21	186363	CUTTER BODY Φ57.5X108/ LM0047-020	57	186397	BIG BEARING PLATE/ LM0012.2-3
22	186364	BEARING 6200-2RS/ GB272-88	58	186398	SMALL BEARING PLATE/ LM0012.2-2
23	186365	PASSIVE WHEEL/ LM0047-022	59	186399	FLAT WASHER Φ6/ GB93-85
24	186366	DRIVING BELT/ LM0047-027	60	186400	SPANNER/ LM0012-F-2
27	186367	SUPPORT/ LM0038-025	59	180243	Cutting Width Guide
28	186368	TORSION SPRING FOR SUPPORT	60	180244	Nut GB62-88 M6
29	186369	SHAFT FOR SUPPORT/ LM0038-027	61	180245	Spanner
30	186370	STOP BLOCK FOR SUPPORT	62	181197	Adapter
31	186371	BASE PLATE/ LM0047-015	63	181198	Supporting rim dust bag
32	186372	DEFLECTOR PLATE/ LM0047-014	64	181199	Dust bag
33	186373	SPRING/ LM0012-3	65	183074	Washer M 6
34	186374	STEEL BALL 3.5			
35	186375	SCREW M6/ GB819-85			



186402

186401